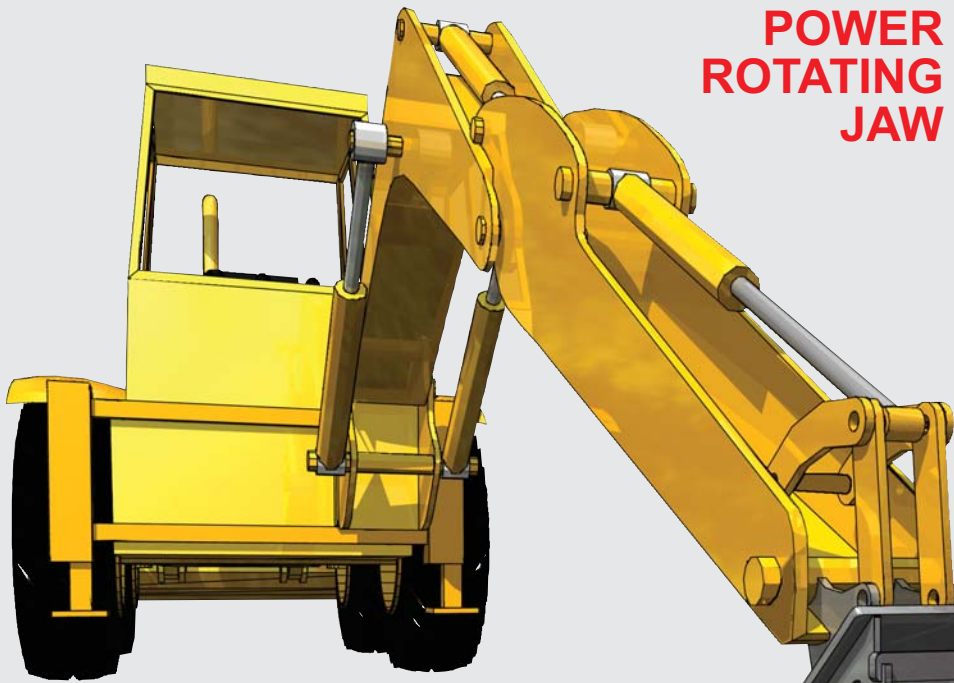


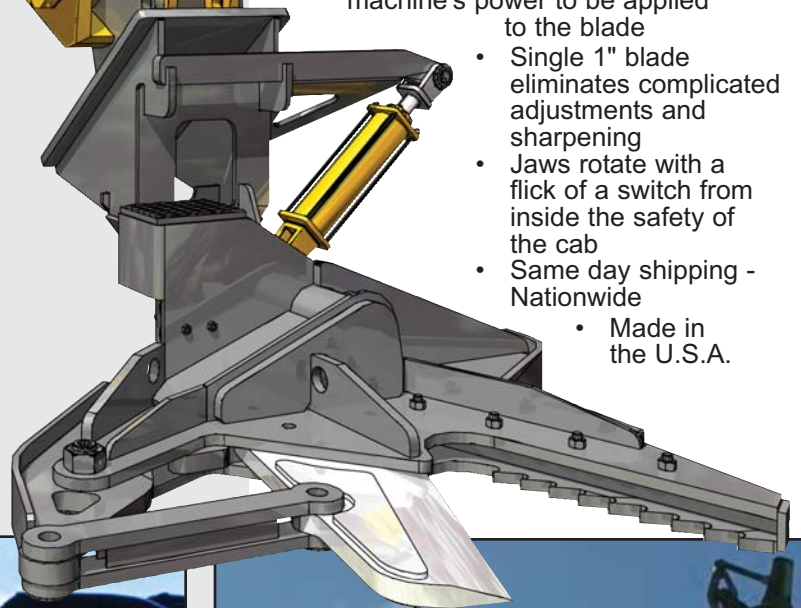
# TIMBERLINE™ TBL1000 TREE SHEAR

**POWER  
ROTATING  
JAW**



**CUT DOWN  
CUT UP  
TRIM • MOVE**

- 10" capacity in one cut
- Hydraulically rotates 110° to cut-up and move felled trees
- Cut trunks flush with the ground or reach high to trim branches
- Narrow profile shear gets into tight spaces
- Made from 5/8" high tensile steel plate
- Standard quick attach coupler or pin on couplers for skid steers, tractors, telehandlers, backhoes, wheeled loaders & compact excavators
- 2400 psi hydraulic pressure is required for best results
- Weight - 655 lbs.
- Single blade design encourages trees to fall the direction of the blade's travel
- Narrow shear gets into tight spaces
- Escape proof serrated power jaw grips tree to allow 100% of the machine's power to be applied to the blade
  - Single 1" blade eliminates complicated adjustments and sharpening
  - Jaws rotate with a flick of a switch from inside the safety of the cab
  - Same day shipping - Nationwide
    - Made in the U.S.A.



**www.SidneyAttachments.com**  
**Toll Free: 1-866-567-9618**

**Sidney**  
**MANUFACTURING CO., LLC**

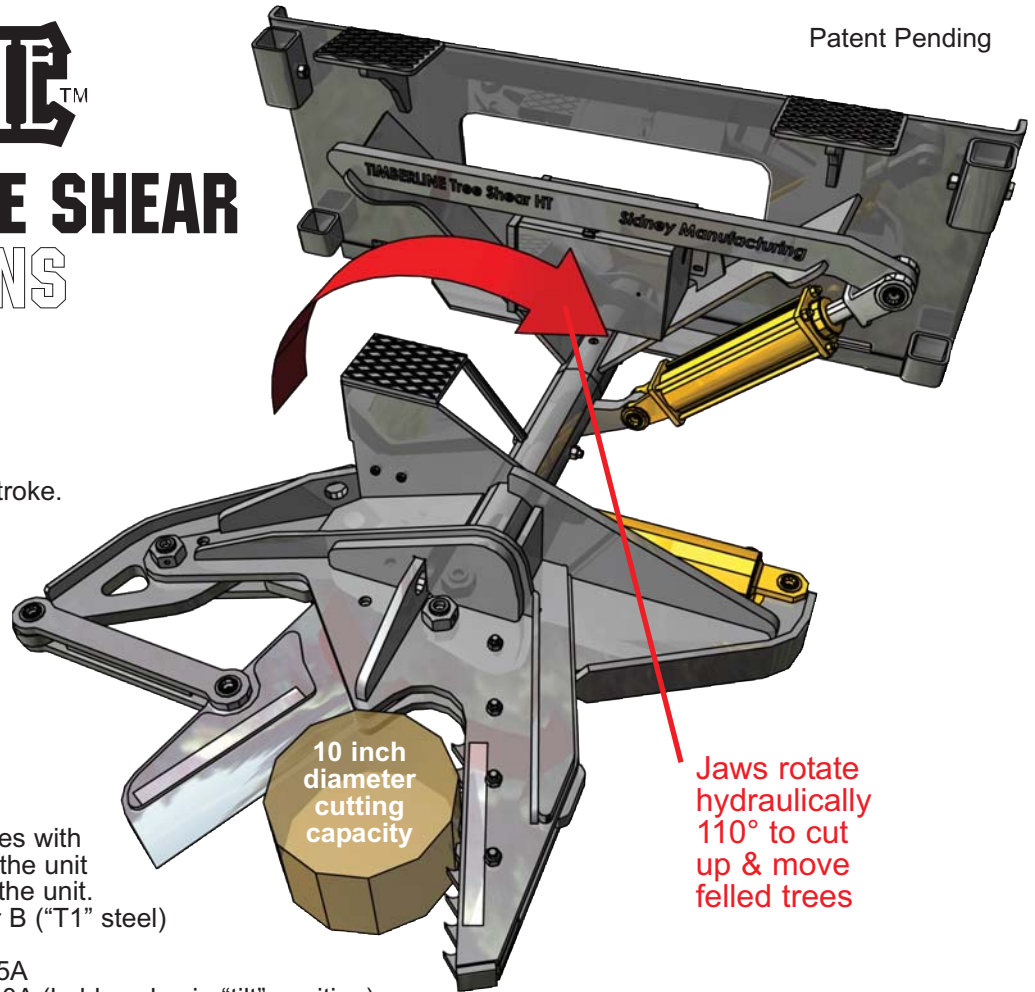
# TIMBERLINE™

## TBL 1000 TREE SHEAR SPECIFICATIONS

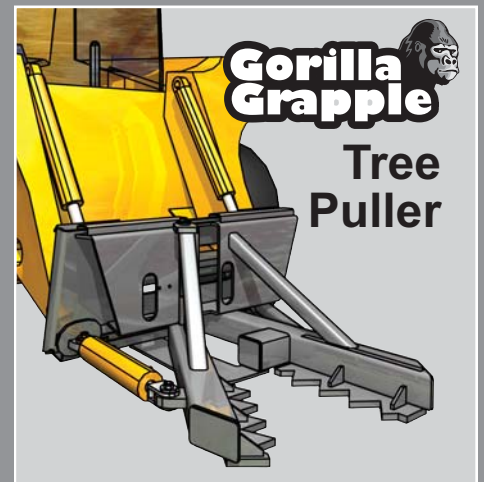
- **Rated capacity:** 10 inch
- **Weight:** 655 pounds
- **Hitch:** SAE J2513 Universal skid steer coupler standard (other couplers available)
- **Blade cylinder:** 4" bore x 18" stroke. Rated for 3000 psig operating pressure
- **Tilt cylinder:** 2.5" bore x 8" stroke. Rated for 3000 psig operating pressure
- **Effective blade force:** Easily shears 10" hardwood (blade force graph available upon request)
- **Blade transit time:** Fastest cycle time (transit time graph available upon request)
- **Plumbing:** Gates 4000psig hoses with durable wrap are provided with the unit
- **Wiring:** Wiring is provided with the unit.
- **Blade material:** ASTM A514-Gr B ("T1" steel)
- **Solenoid valve:** 12VDC
  - Activation current draw: 4.5A
  - Hold open current draw: 1.0A (holds valve in "tilt" position)
  - Idle current draw: 0A (holds valve in "blade" position)

### OPTIONS

- Brush guard
- Wireless remote control for jaw rotation
- Complete selection of couplers
- Spray Kit



## OTHER FINE SKID STEER ATTACHMENTS FROM SIDNEY



[www.SidneyAttachments.com](http://www.SidneyAttachments.com)

Toll Free: 1-866-567-9618

P.O. Box 430, Sidney, Iowa 51652 • Phone: 712-374-3366 • Fax: 712-374-2822